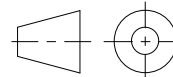
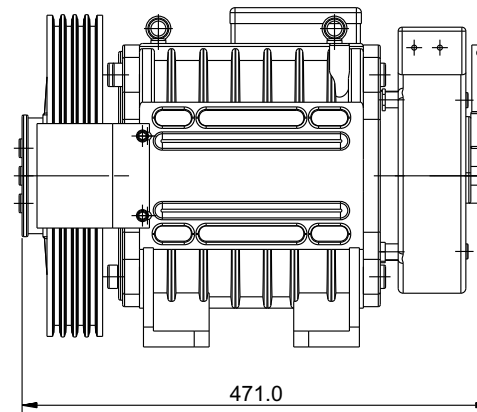
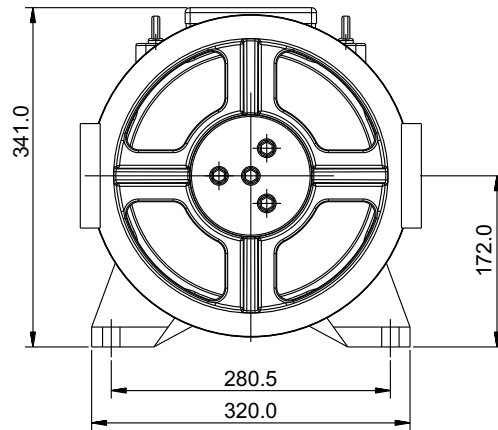
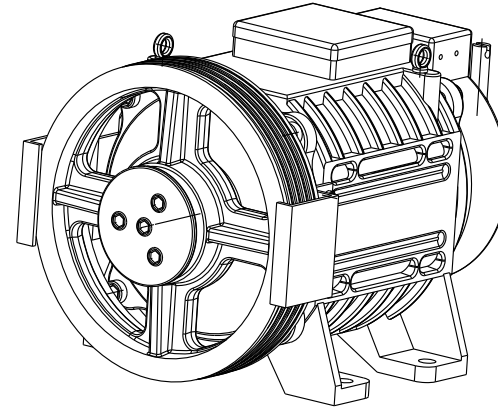
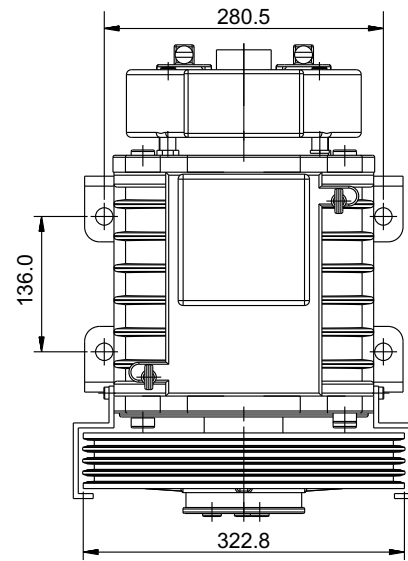


ALL INFORMATION CONTAINED IN THIS DOCUMENT IS CONFIDENTIAL AND SHOULD NOT BE USED WITHOUT PRIOR CONSENT OF JD ENGINEERING WORKS

ALL DIMENSIONS ARE IN mm UNLESS OTHERWISE SPECIFIED



## JD ENGINEERING WORKS

	NAME	DATE
DRN	V.P.B.	30/03/22
CHD		
APPD	V.P.B.	30/03/22

CONSTRUCTION:	<b>ELEVATOR TRACTION MACHINE</b>	Enq. No.	SCALE
		—	N.T.S



DRAWING NO:	<b>A13S43202 (A)(B)(C)(D)</b>
Reference:	DRG. No. A13S431TA (EFF-1)