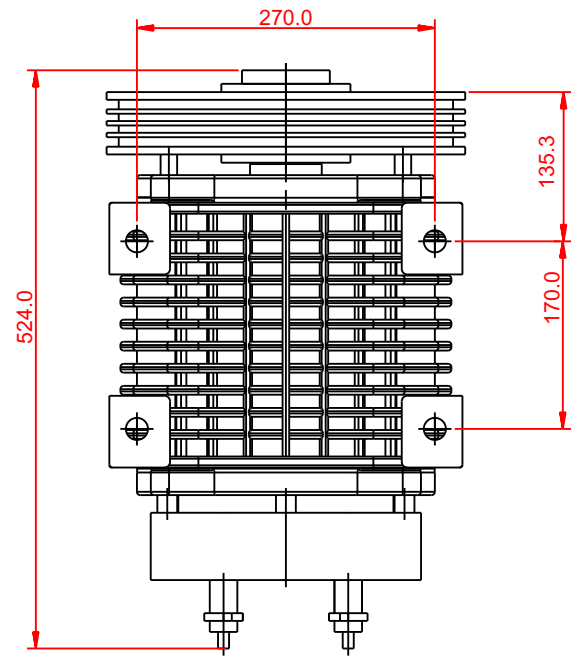
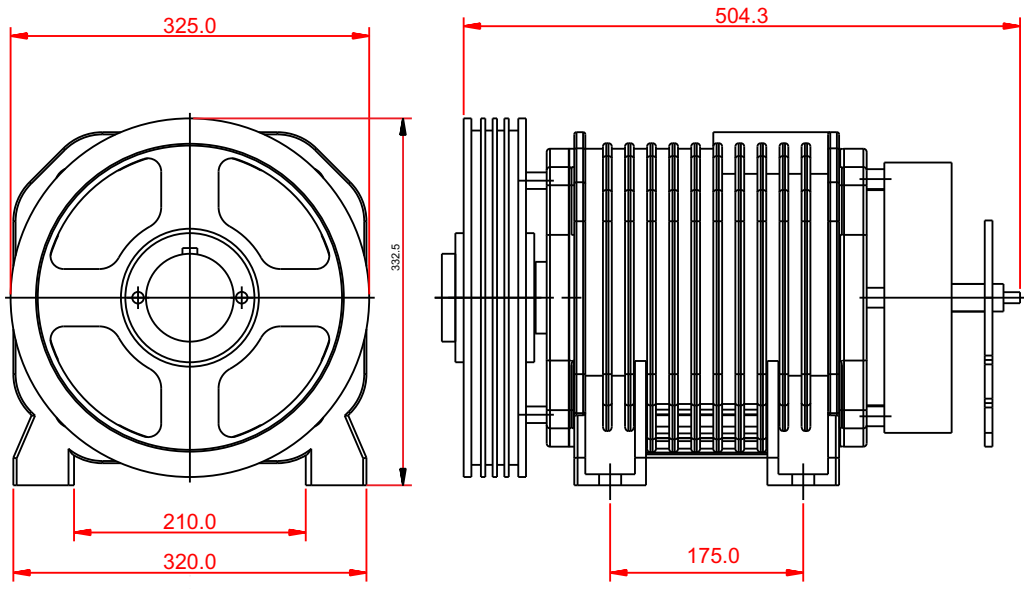


ALL INFORMATION CONTAINED IN THIS DOCUMENT IS CONFIDENTIAL AND SHOULD NOT BE USED WITHOUT PRIOR CONSENT OF JD ENGINEERING WORKS

ALL DIMENSIONS ARE IN mm UNLESS OTHERWISE SPECIFIED



		JD ENGINEERING WORKS		
DRN	V.P.B.	5/6/21	CONSTRUCTION:	Motor
CHD				Enq. No. —
APPD	V.P.B.	5/6/21	DRAWING NO:	A13S43202 (A)(B)(C)(D)
			Reference:	DRG. No. A13S431TA (EFF-1)
			SCALE:	N.T.S.

